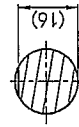
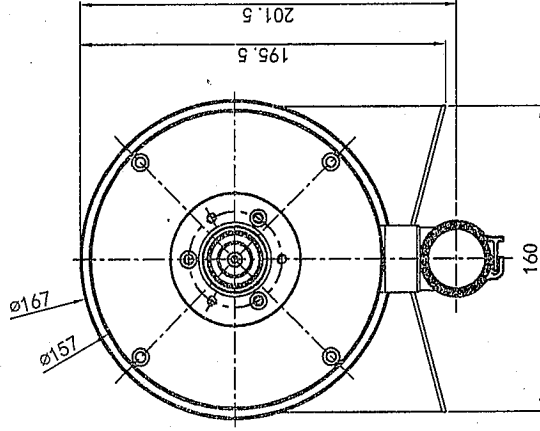
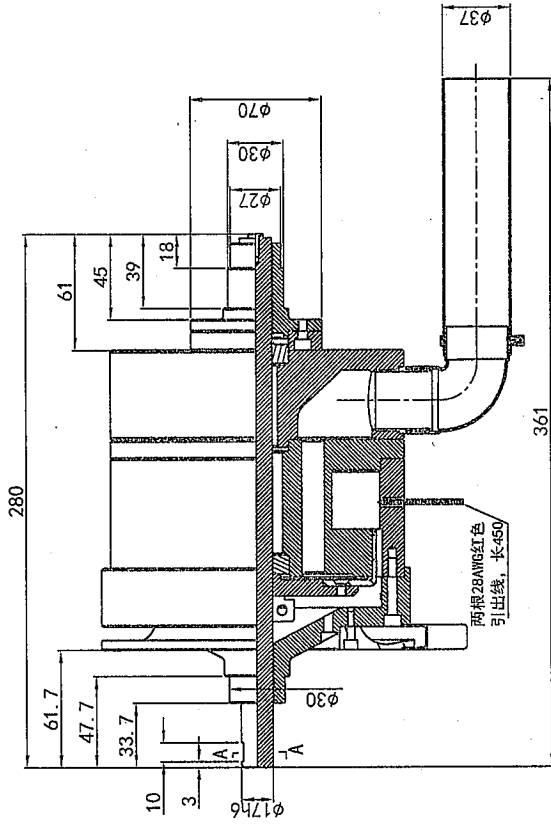
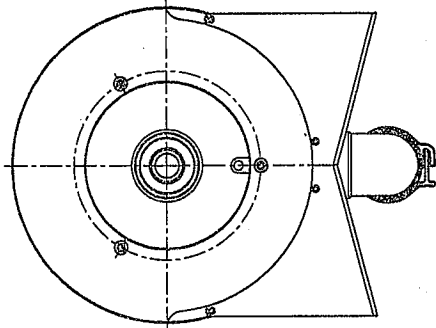
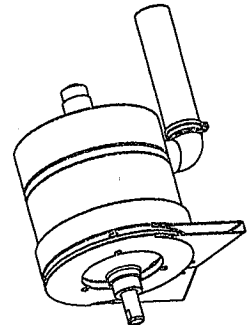
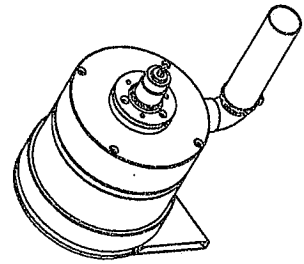


Model	P/N	Minimum torque at rated current (Kg.cm)	Rated current (mA)	Voltage (VDC)	Resistance $\pm 10\%$ @25°C (ohms)	Kinetic power ratings (W)				External inertia (kg · cm ²)	Max speed (rpm)	Weight (Kg)
						With Blower		Without Blower				
BHB-503A	A. 06. 02. 002	50	750	24	30	5 min	1800	1000	200	1. 31*10 ¹	25000	12.68



A-A 2:1



1:2

Type	BHB-503A	Name	Blower Hysteresis Brakes
Designer	2019.07.07		Scale
Verifier	2019.1.7		Unit
Approver			Version

Valid Magnetics Ltd

The third angle

