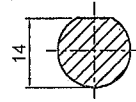
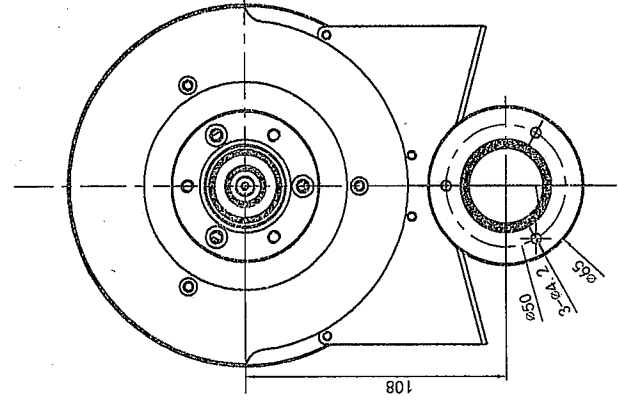
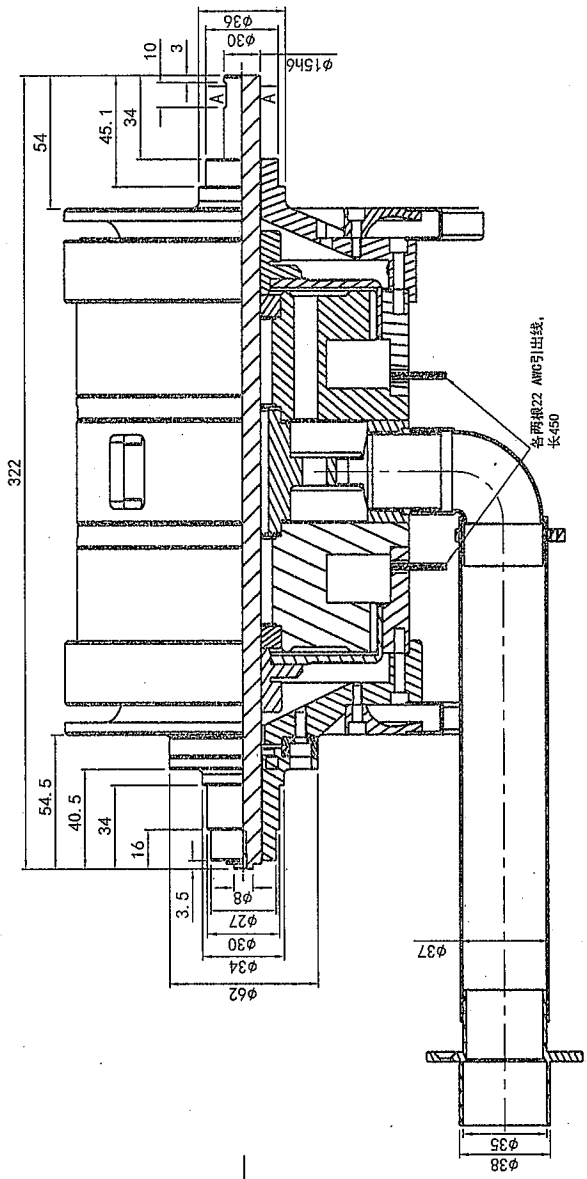
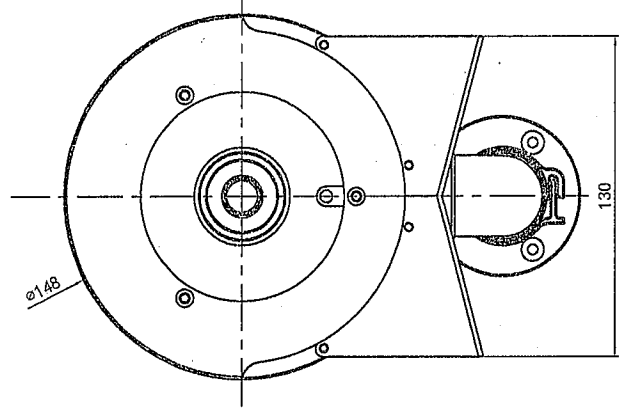
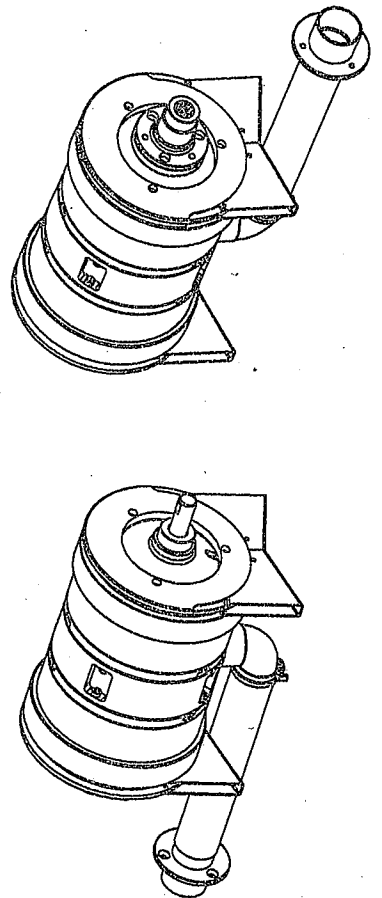


Model	P/N	Minimum torque at rated current (kg.cm)	Rated current (mA)	Voltage (VDC)	Resistance $\pm 10\%$ @25°C (ohms)	Kinetic power ratings (W)			External inertia (kg · cm ²)	Max speed (rpm)	Weight (Kg)	
						With Blower	Without Blower					
BHB-603A	A. 06. 03. 005	60	1500	24	16	5 min	3200	2800	1400	300	25000	12.92



A-A 2:1



Type	BHB-603A	Name	Blower Hysteresis Brakes
Designer		Scale	1:1
Verifier		Unit	mm
Approver		Version	A0

Valid Magnetics Ltd

The third angle