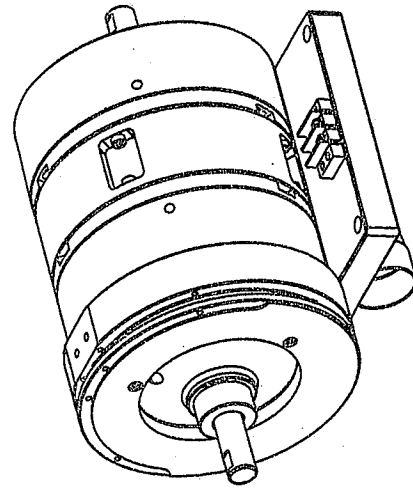
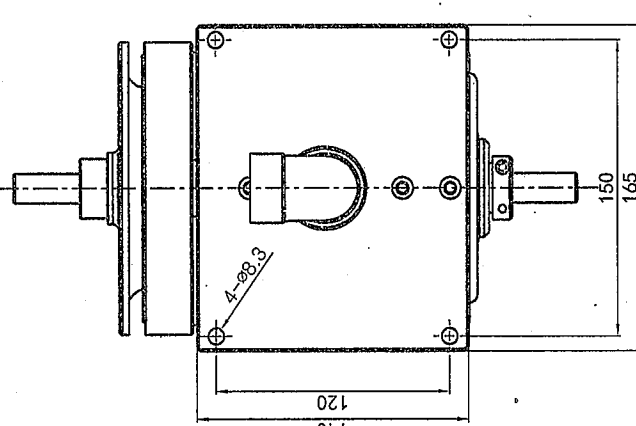
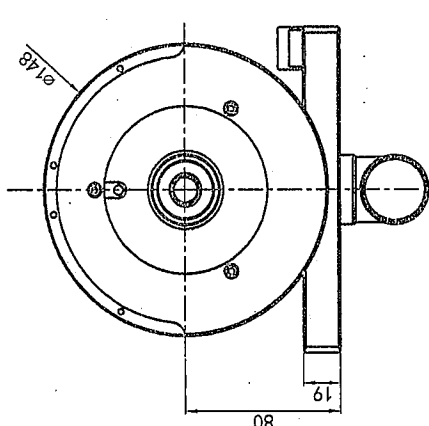
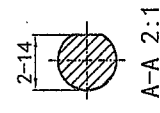
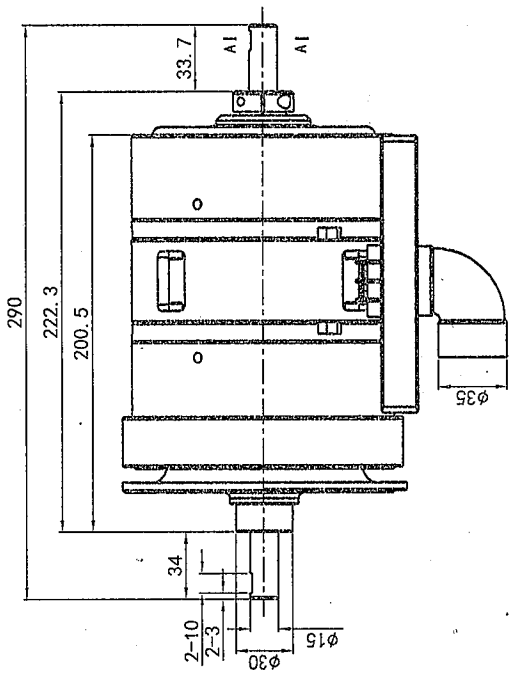
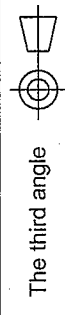


Model	P/N	Minimum torque at rated current (N.m)	Rated current (mA)	Voltage (VDC)	Resistance $\pm 10\%$ @ 25°C (ohms)	Kinetic power ratings (W)			External inertia (kg · cm ²)	Max speed (rpm)	Weight (Kg)	
						With Blower	Without Blower					
BHB-6A	A. 06. 03. 002	6	1500	24	16	5 min	3200	2800	1400	300	20000	12.7



Type	BHB-6A	Name	Blower Hysteresis Brakes
Designer		Scale	-
Verifier		Unit	mm
Approver		Version	A0

Valid Magnetics Ltd



The third angle