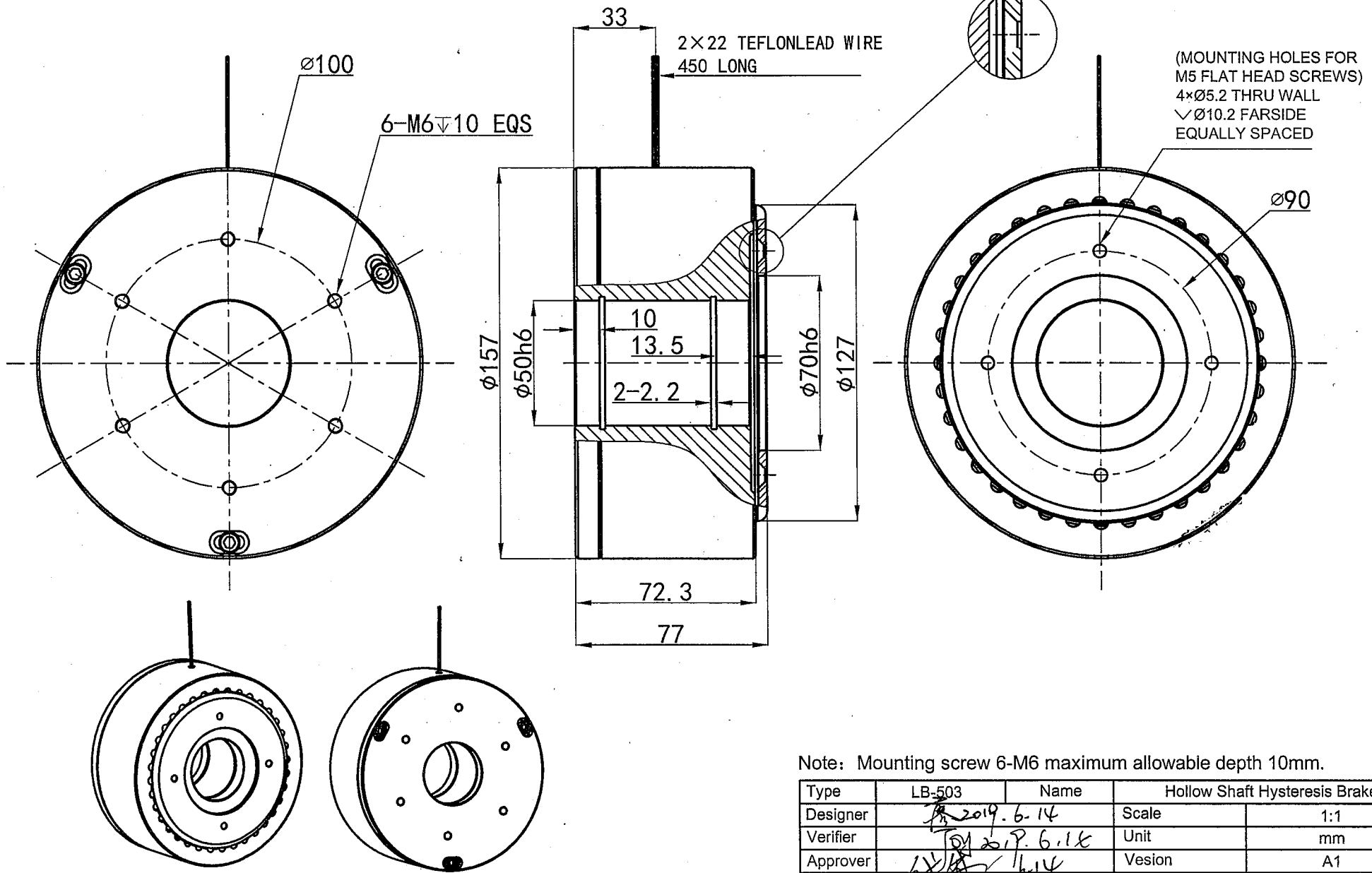


Model	P/N	Minimum torque at rated current (kg.cm)	Rated current (mA)	Voltage (VDC)	Resistance $\pm 10\%$ @25°C (ohms)	Kinetic power ratings(W)		External Inertia (Kg.cm <sup>2</sup> )	Weight (kg)
						5 Minutes	Continuous		
LB-503	A.04.07.001	50	1200	24	20	1000	200	2000	9.3



Note: Mounting screw 6-M6 maximum allowable depth 10mm.

Type	LB-503	Name	Hollow Shaft Hysteresis Brake	
Designer	2019.6.14	Scale	1:1	
Verifier	2019.6.18	Unit	mm	
Approver	2019.6.14	Vesion	A1	

The third angle

